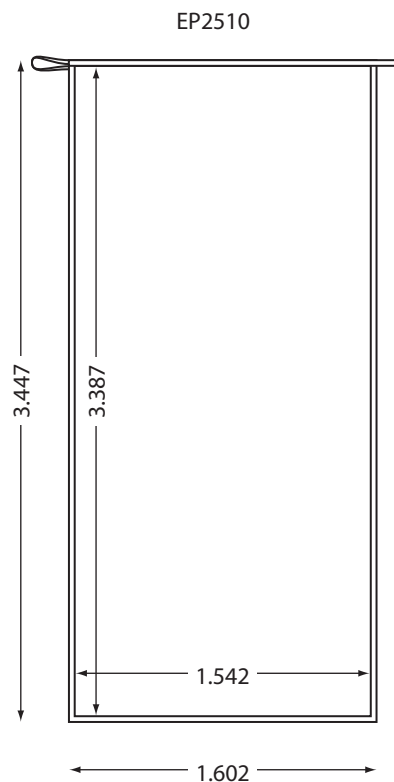
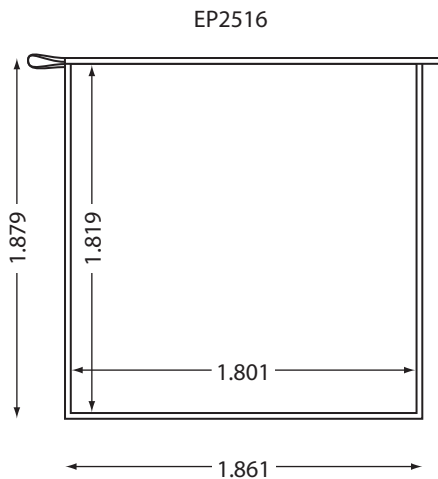
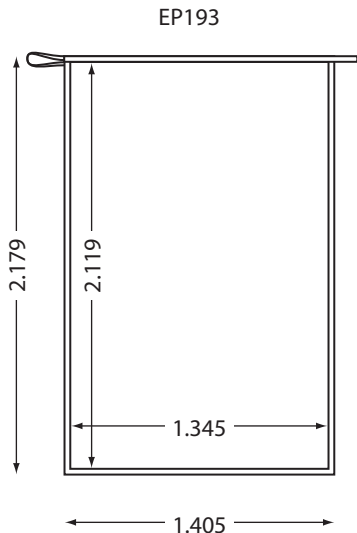
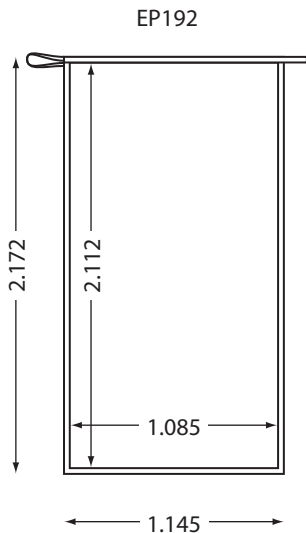
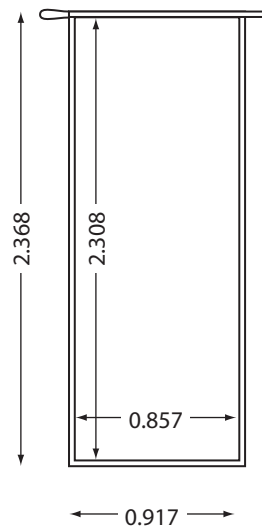
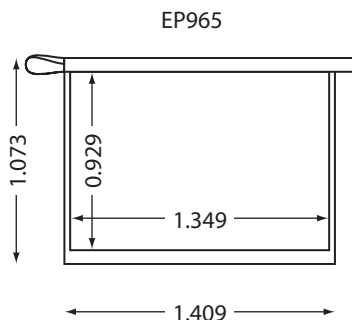
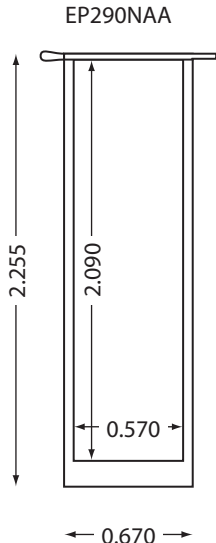
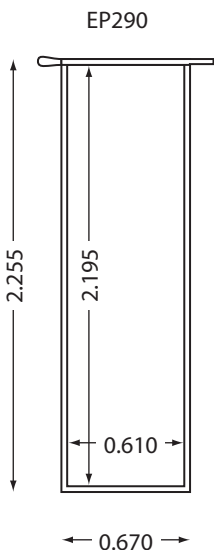
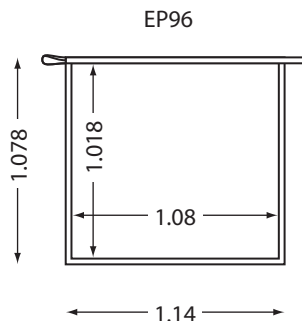
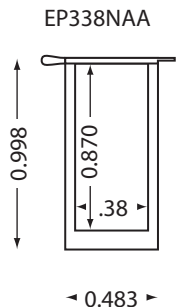
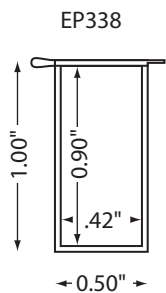
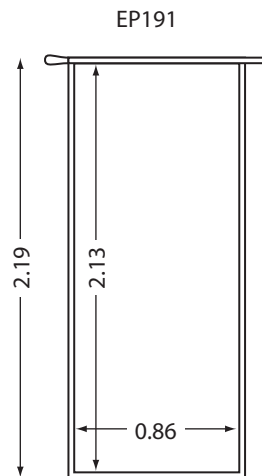
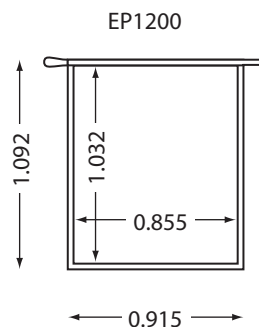
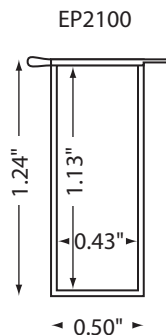
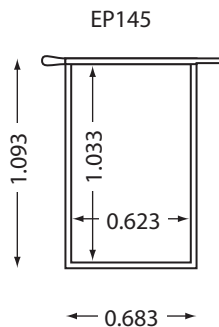
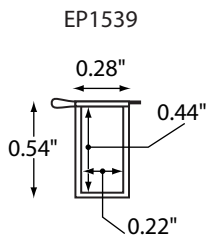


POLYVIALS SERIES CONTAINERS



All dimensions are based on clear polypropylene vials and are ± 0.02 .

WWW.LACONS.COM